



TPH-101-W

Smart Heating Thermostat - LoRaWAN

Saves up to 20% on energy consumption

KEY FEATURES

General:

- 24VAC power supply
- RF Wireless: 915mHZ
- 3.5" tft color touch screen with lockout option
- LoRaWAN
- Four or six events per day
- 7 day, weekday/weekend, 24hours schedule
- 12/24 hours
- Auto sync time and date
- Automatically adjusts to daylight saving time
- Energy consumption statics
- Temperature control range 5°C - 45°C (with C/F temperature display)
- History data tracking diagram(Up to 4 weeks)
- Defrost protection
- Work mode: Holiday, Home/Away, Boost(Hold)
- Multi language(4+ languages)

Sensors:

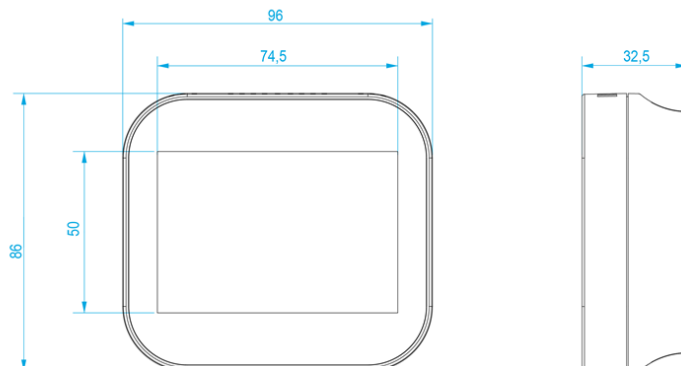
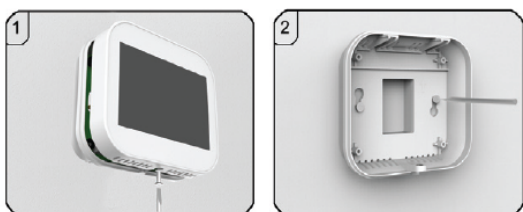
- Temperature & Humidity sensor
- Ambient light sensor

TECHNICAL DATA

Purpose Of Control	Heating system
Supply Voltage	24vac VAC 50/60 HZ
Display	320x480 pixels TFT, Capacitive touch screen
Communications	LoRaWAN
Displayed Temperature Resolution	0.1°C
Control Temperature Step	0.2°C(default = 0.5°C)
Smart Schedule Type	7days,weekday/weekend,24hours
Schedule Per Day	Up to seven different 4- or 6-event program
Standby Consumption	≤0.5 W
Operating Temperature	1° c- 85° C
Dimensions (W/H/D)	96 * 86 * 32.5 (mm)
Built-In Depth	24.5mm
Weight	≤200 g
Enclosure Rating	Ip 20
Enclosure Material	PC + ABS plastic
Alexa / Google Home (Optional)	Available
Approval	CE, FCC, RoHS,CA65
Warranty	2 Years



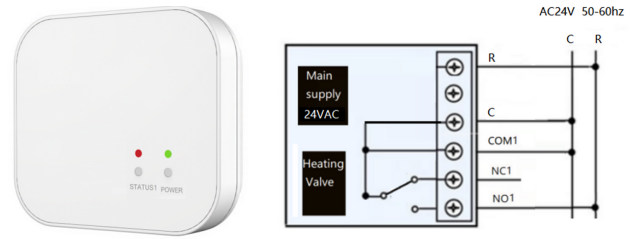
Installation:



CONFIGURATION SETTINGS	
Language	English, Spanish, French, Portuguese
Date & time	01) Time zone 02) Date & time 03) Daylight saving time(DST)
Backlight	Ambient light diming
Standby Screen	Standby screen • Time: 3min, 10min, just night • Type: clock , default, off screen
Screen lock	4 number pin ,if your forget the password the Admin Password is sticked in the back of thermostat.
Network settings	• LoRaWAN • Qr code
Feature settings	01) Temperature format 02) Temperature limit 03) Switch differential 04) Output delay 05) Defrost: enable/disable 06) Built-in Sensor calibration 07) Humidity sensor calibration 08) Optimum start • Disable/Enable this feature 09) Energy tariff • Set Energy usage per Hour • Set unit cost per Kw/h 10) Open window function • Disable/Enable this feature 11) TemperatureBar Setting • Color Bar • White Bar 12) Fan settings: • Input
Schedule	• Weekday/weekend • 7 days • 24 hours • None
Hold temperature	• Hold time • Hold setpoint
System information	Version number, QR code
Reset to factory settings	Delete all settings to factory default configuration

ACCESSORIES

TP -110- RT1

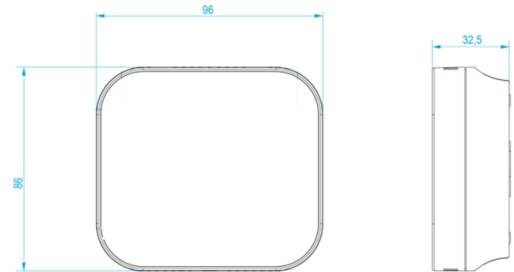


Wireless Receiver

General:

- AC24 power supply
- RF Wireless: 915MHz
- Single channel output
- Boiler/ radiator/electric heating

TECHNICAL DATA	
Purpose Of Control	Underfloor heating system
Supply Voltage	24vac VAC 50/60 HZ
Communications	Wireless RF 915MHz
Output Relay	5A
Operating Temperature	1° c- 85° C
Dimensions (W/H/D)	96 * 86 * 32.5 (mm)
Weight	≤200 g
Enclosure Rating	Ip 20
Enclosure Material	PC + ABS plastic



01. LoRaWAN Indicator	09. Holiday
02. History Data Diagram	10. Schedule
03. Adjusting The Optional Settings	11. Configuration Menu
04. Day Indicator & Clock	12. & 13. Adjusting the Setting Temperature
05. Home/Away	14. Setting Temp Display
06. Hold Function	15. Room Temperature Display
07. Humidity	16. °C or °F Display
08. Power ON / OFF	17. Heating Symbol

*All logos & trade marks represent the registered users only. All rights reserved.

*All product specifications on this brochure are subject to change without notice.



CANADA:
351 Ferrier Street Unit 5
Markham, Ontario L3R 5Z2
Tel: 416-410-6865
Toll Free: 1-866-843-6865

USA:
171 Cooper Ave.
Suite 110 Tonawanda,
NY 14150 USA
Tel: 1-716-877-7277
Toll Free: 1-866-843-6865

MIDDLE EAST:
PO Box No 126312
Office Suite 703 Oxford Tower
Business Bay Dubai, UAE
Tel: + 971 4 2767117

www.watchnetiot.com
info@watchnetiot.com