



WCT-400A-36

Split Current Transformer

KEY FEATURES

Best-in-class CT Transformer with perfect aesthetics, complemented by a user-friendly installation and wiring process. Designed for urban and rural power grid retrofitting, the WCT-400A-36 series split current transformers offer compact dimensions, remarkable precision, robust load-bearing capacity, and streamlined installation.

Our CT yields substantial benefits by reducing needs of excessive manpower, material resources, commercial benefits while concurrently enhancing operational efficiency for our users.

TECHNICAL DATA	
Rated operation voltage	AC 0.66kV
Rated frequency	50-60Hz
Ambient air temperature	-30°C-70°C
Height above sea level	≤3000m
Power frequency withstand voltage	3000v/1min 50Hz
Location	Used in place without direct rain and snow, without severe pollution and acute shock
Continuous overload	120%IN
Class	0.5
Aperture	16mm
Maximum system voltage	720V AC
Casing	Non-flammable, polycarbonate self-extinguishing ABS
Protection level	IP30

ADVANTAGES:

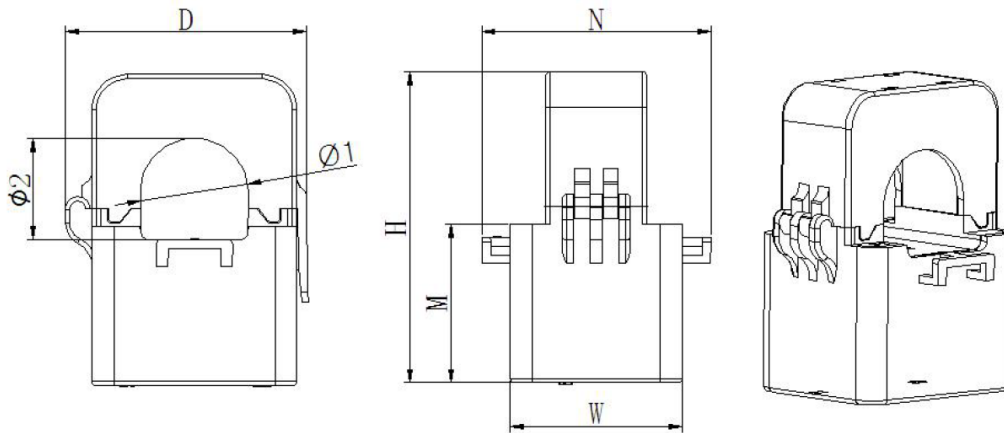
- Sub-metering
- Power factor correction devices
- Metering (electrical energy meters)
- Active power filter
- Power measurement device for PLC
- Sensing Overload Current
- Ground fault detection
- Digital fault recorder
- In-factory display or in-home display
- Inverters for solar and wind turbine systems
- Electrical testing equipment and relay protection
- Current, power, energy monitoring devices

ADVANTAGES:

- Split core allows you to directly monitor AC current without breaking or interrupting supply.
- Easy to remotely monitor devices that place in inaccessible or harsh environments.
- They are easy to install
- Easily snapped over pre-existing wires
- Ideal for Portable electricity monitoring devices

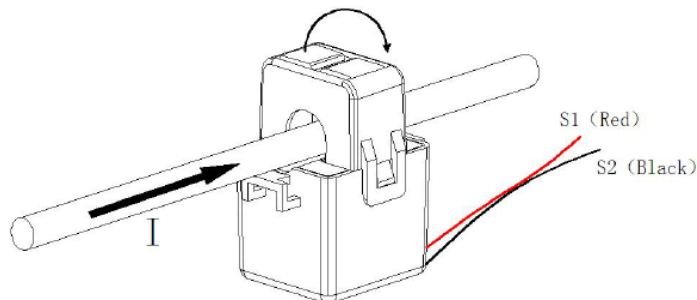
SPECIFICATION	RATED CURRENT RATIO (A)	PRECISION DEGREE		STRAIGHT-THROUGH TUMS	MAX. CABLE OUTER DIAMETER (MM)
		0.5	1		
K-Φ24	(150-200)A/5(1)A		1	1	Φ24
	(250-300)A/5(1)A		1.5	1	
K-Φ36	(300-400)A/5(1)A		1.5	1	Φ36
	(500-600)A/5(1)A	1.5		1	
K-Φ50	500A/5(1)A	1.5		1	Φ50
	(600-700)A/5(1)A	2.5		1	
	(800-900)A/5(1)A	5		1	
	1000A/5(1)A	10		1	

Dimensions



SPECIFICATION	OUTLINE SIZE					THROUGH SIZE		TOLERANCE
	W	H	D	M	N	Φ1	Φ2	
K-Φ24	39	70.5	55	36	52	24.5	23	±1
K-Φ36	42.5	81.5	67	40	56	33.5	351.5	±1
K-Φ50	46.5	110	90	54	66.5	47	52	±1

Installation



*All logos & trade marks represent the registered users only. All rights reserved.

*All product specifications on this brochure are subject to change without notice.



CANADA:
351 Ferrier Street Unit 5
Markham, Ontario L3R 5Z2
Tel: 416-410-6865
Toll Free: 1-866-843-6865

USA:
171 Cooper Ave.
Suite 110 Tonawanda,
NY 14150 USA
Tel: 1-716-877-7277
Toll Free: 1-866-843-6865

MIDDLE EAST:
PO Box No 126312
Office Suite 703 Oxford Tower
Business Bay Dubai, UAE
Tel: + 971 4 2767117

www.watchnetiot.com
info@watchnetiot.com

AUGUST 2023