



WLRC-D12 / WLRC-D122



Wireless Water Leak Detector

This commercial-grade water leak sensor can detect water presence immediately and notify persons by SMS, Email or phone call from our hosted web platform. The anti-corrosive dual-pin sensor can detect water levels in condensation pans for air conditioning units. This sensor also can detect the water level is low in some holding tanks. Combined with WLRI-V11 automatic valve closure device water damage can be prevented immediately. (Works online or offline) Detect water presence or non-presence (wet/dry) of any conditions.

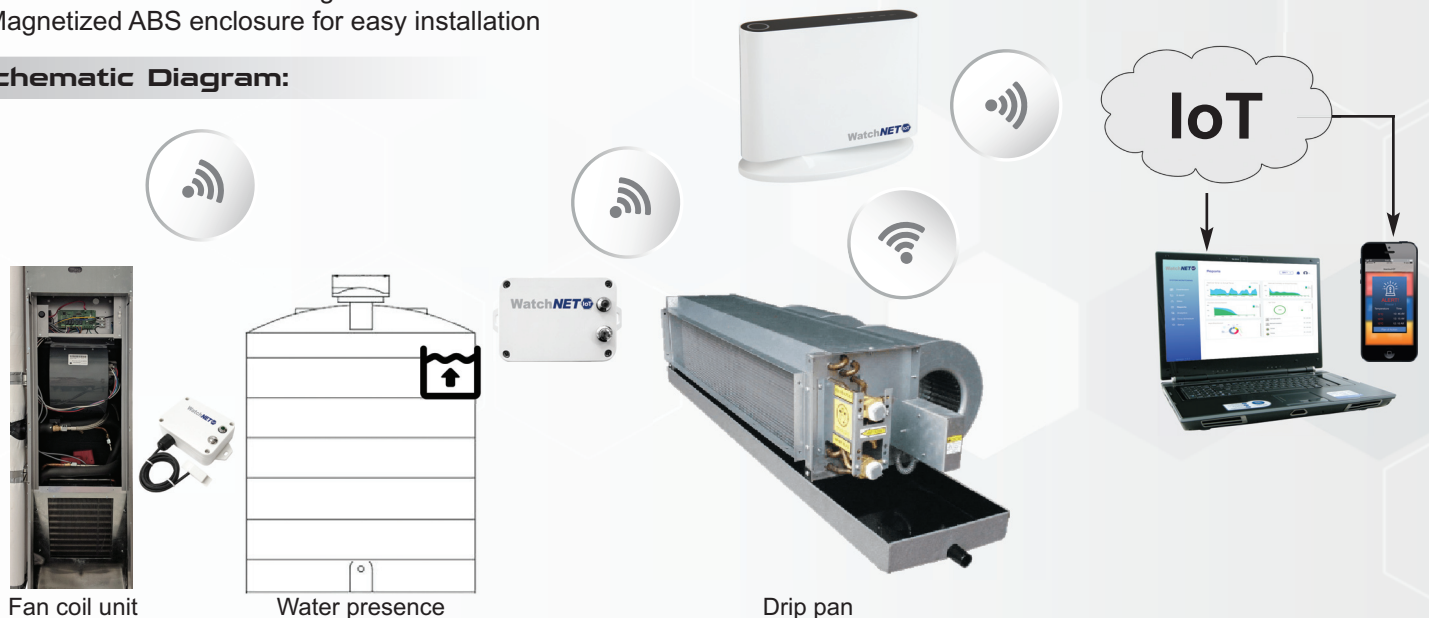
Features:

- Super Long Range Signal Penetration
- 5 years plus Battery Life*
- Easy Installation
- Frequency Hopping Spread Spectrum (FHSS)
- Improved interference immunity
- Encrypt-RF™ Security (Diffie-Hellman Key Exchange + AES-128 CBC for sensor data messages)
- Over-the-air updates
- Interactive WatchNET IoT platform with dashboard, search and notification settings
- * Magnetized ABS enclosure for easy installation

Applications:

- Residential/Commercial water leak detection
- Data Centers/ IT Server rooms
- Air condition water leak detection
- Storage tank water presence detection
- Dry condition detection

Schematic Diagram:



Technical Specifications

Electrical	
Input Power	2 x 3.6V ER14505 AA lithium batteries (3.6V2400mah/section)*
Sleeping Mode	22uA (WLRC-D12) / 23uA (WLRC-D122)
Wake up Mode	6.3mA@3.3V
Low Voltage Threshold	3.2V
Receiving Current (max)	11mA @3.3V
Transmitting Current (max)	120mA/3.3V
Battery Voltage Measurement Accuracy	±0.1V

*The actual electrical characteristics will vary depending on the power supply voltage.

Water Sensor	
Water Line Material	UL2547 28AWG
Water Line Max. Working Temperature	80°C / 176°F
Water Line Diameter	2mm / 0.078"
Water Line Length	1000mm (±5mm) / 39.37" (±0.20")
Water Line Flame Resistance Rating	VW-1
Water Line Length Limit	300m / 984ft (Approximate value)
Water Sensor Size	L: 38.5mm x W: 11.9mm x H: 13.7mm / L: 1.51"x W: 0.47" x H: 0.54"

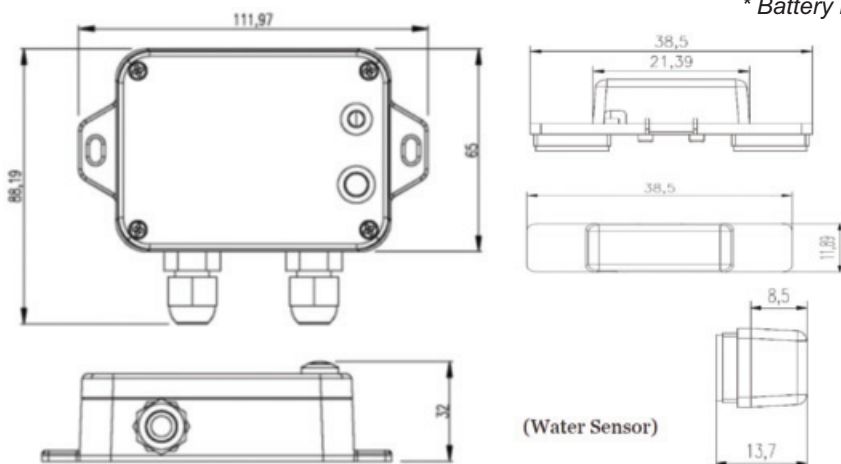
Frequency	
TX Power	19dBm±1dBm
Rx Sensitivity	-136dBm (LoRa, Spreading Factor=12, Bit Rate=293bps) -121dBm (FSK, Frequency deviation=5kHz, Bit Rate=1.2kbps)
Antenna Type	Built-in antenna
Communication Range	Up to 5km/3.11miles, the actual transmission distance depends on the environment*
Data Transfer Rate	0.3kbps~50kbps
Spread Technique	LoRa/FSK
Available Frequency	EU863-870, US902-928, Configured before shipment

Physical	
Dimension	L:112mm x W:65mm x H:32mm / L:4.41" x W:2.56" x H:1.26"
Weight	141g / 0.31lb (WLRC-D12) / 151g / 0.33lb (WLRC-D122)
Protection Level	Main Part IP65 / External Sensor IP65
Environment Temperature Range	-20°C ~ 55°C / -4°F ~ 131°F
Environment Humidity Range	<90%RH (No condensation)
Storage Temperature	-40°C ~ 85°C / -40°F ~ 185°F

Dimensions

* Actual signal range may vary depending on the environment.

* Battery life is determined by sensor reporting frequency and other variables.



* All product names, logos and brands are property of their respective owners. All company products and service names used on this box/website/brochure are for identification purposes only. Use of these names, logos and brands does not imply endorsement. 2019 WatchNET Inc. © All Rights Reserved. All product specifications are subject to change without notice.

CANADA:

351 Ferrier Street, Unit 5
Markham, ON L3R 5Z2
Toll Free: 1-866-843-6865
Tel: 416-410-6865

UAE:

PO Box No 126312
Office Suite 703, Oxford Towers
Business Bay, Dubai, UAE
Tel: + 971 4 276711

USA:

171 Cooper Ave. Suite 110
Tonawanda, NY 14150 USA
Toll Free: 1-866-843-6865
Local: 1-716-877-7277

www.watchnetiot.com
info@watchnetiot.com