



WLRC-I122C



Wireless Multi-Sensor Interface for 0-24V ADC, Dry Contact and 4-20mA

WLRC-I122C is a great interface device to monitor machinery, battery chargers, gas sensors and water flow sensors. It can transmit alarm status of the device using dry contact and analog output reading of the equipment. Easy to read and customize application on WatchNET IoT platform for alarms and notifications.

Features:

- Super Long Range Signal Penetration
- 5 years plus Battery Life*
- Easy Installation
- Frequency Hopping Spread Spectrum (FHSS)
- Improved interference immunity
- Encrypt-RF™ Security (Diffie-Hellman Key Exchange + AES-128 CBC for sensor data messages)
- Over-the-air updates
- Interactive WatchNET IoT platform with dashboard, search and notification settings
- * Magnetized ABS enclosure for easy installation



Applications:

- Sensor
- Measuring equipment
- Instrumentation
- Alarm status
- Equipment interface

Schematic Diagram:



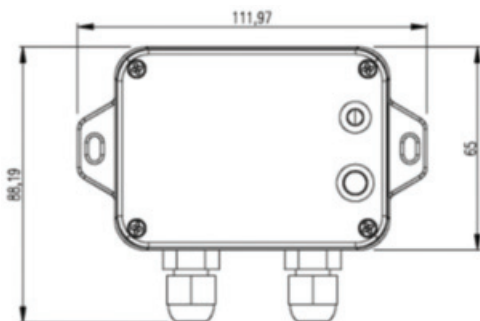
Technical Specifications

Electrical	
Power Supply	2 x ER14505 AA lithium batteries (3.6V 2400mah/section) Specific specifications are subject to actual shipment.
Battery Life	5 years (Conditions: ambient temperature 25°C/77°F, 15 min report once, TX power = 20dBm, LoRa spreading factor SF = 10)
Standby Current	22.7uA
Wakeup Current	Wakeup current range 0.8mA-20 mA * When not transmitting /receiving LoRa data
Battery Measurement Accuracy	±0.1V
Module	
Wake-up Current	0.8mA - 8mA@3.3V
RF Receiving Current (max)	11mA/3.3
RF Transmitting Current (max)	120mA/3.3V
*Specific electrical characteristics will vary depending on the power supply voltage.	
Frequency	
TX Power	19dBm±1dBm
Rx Sensitivity	-136dBm (LoRa, Spreading Factor=12, Bit Rate=293bps) -121dBm (FSK, Frequency deviation=5kHz, Bit Rate=1.2kbps)
Antenna Type	Built-in antenna
Communication Range	Up to 500m/0.310miles, the actual transmission distance depends on the environment*
Data Transfer Rate	0.3kbps~50kbps
Spread Technique	LoRa/FSK
Available Frequency	EU863-870, US902-928, Configured before shipment
Physical	
Dimension	L:112mm x W:88.19mm x H:32mm / L:4.41" x W:3.47" x H:1.26"
Weight	141g / 0.31lb
Protection class	Main Part IP65
Environment Temperature Range	-20°C ~ 55°C / -4°F ~ 131°F
Environment Humidity Range	<90%RH (No condensation)
Storage Temperature	-40°C ~ 85°C / -40°F ~ 185°F

Dimensions

* Actual signal range may vary depending on the environment.

* Battery life is determined by sensor reporting frequency and other variables.



* All product names, logos and brands are property of their respective owners. All company products and service names used on this box/website/brochure are for identification purposes only. Use of these names, logos and brands does not imply endorsement. 2021 WatchNET Inc. © All Rights Reserved. All product specifications are subject to change without notice.

CANADA:

351 Ferrier Street, Unit 5
Markham, ON L3R 5Z2
Toll Free: 1-866-843-6865
Tel: 416-410-6865

USA:

171 Cooper Ave. Suite 110
Tonawanda, NY 14150 USA
Toll Free: 1-866-843-6865
Local: 1-716-877-7277

UAE:

PO Box No 126312
Office Suite 703, Oxford Towers
Business Bay, Dubai, UAE
Tel: + 971 4 2767117

Rev. Dec. 2021

www.watchnetiot.com
info@watchnetiot.com