



WLRC-S18K1-WLRC-S18K2



Wireless 1/2-Gang Thermocouple Sensor Type K

This commercial-grade K Type thermocouple sensor can be used to monitor the temperature of the specific substance or environment and notify personals by SMS, email or phone call from our hosted web platform if the values go out of the optimal range. The device comes in a sealed box making it moisture-proof and withstands extreme conditions. This sensor is rugged and IP65 rated for a humid and moist environment. This device has a magnetic back panel that can be mounted on any metal surfaces.

Features:

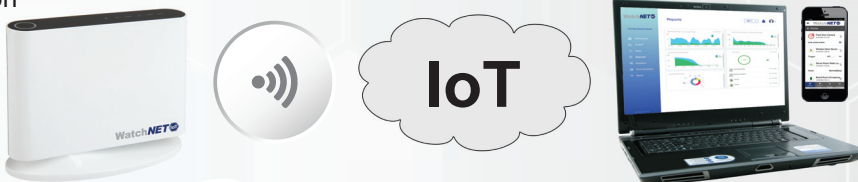
- Super Long Range Signal Penetration
- 5 years plus Battery Life*
- Easy Installation
- Frequency Hopping Spread Spectrum (FHSS)
- Improved interference immunity
- Encrypt-RF™ Security (Diffie-Hellman Key Exchange + AES-128 CBC for sensor data messages)
- Over-the-air updates
- Interactive WatchNET IoT platform with dashboard, search and notification settings
- * Magnetized ABS enclosure for easy installation



Applications:

- Factories
- Food manufacturing units
- Freezers
- Boiler and furnace rooms
- High heat ovens
- Meat fridge

Schematic Diagram:



Boiler/mechanical room



Hot baking oven



Deep freeze storage

Technical Specifications

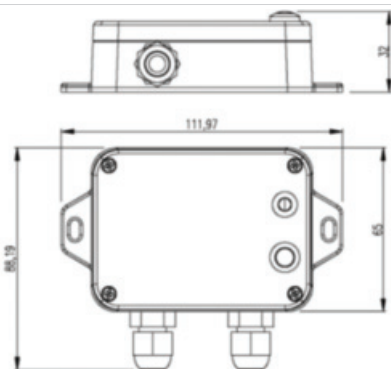
Electrical	WLRC-S18K1	WLRC-S18K2
Input Power	2x 3.6V ER14505 AA lithium batteries (3.6V2400mah/section)*	
Operating Voltage	3.1V ~ 3.65V	
Battery Life	5years (Conditions: ambient temperature 25°C/77°F, 15min heartbeats, txpower = 20dBm, LoRa spreading factor SF = 10)	
Standby Current	34uA	36uA
Wake up Current	7.33mA (Typical Value) Wake up current range 0.8mA-20 mA *When not transmitting/receiving LoRa data)	
Wake up Mode	0.8mA - 8mA@3.3V	6.3mA@3.3V
Low Voltage Threshold	3.2V	
Transmitting current (max)	120mA@3.3V	
Receiving current (max)	11mA @3.3V	
Battery Measurement Accuracy	±0.1V	

*Specific electrical characteristics may vary depending on the power supply voltage.

Thermocouple Characteristics	
K-type Thermocouple Measurement Range	Type K thermocouple: -40~375°C ±1.5°C / -40~707°F ±34.7°F
Measurement accuracy	<p>The host body and K-type thermocouple are in the same temperature range: Temperature Range: 0°C ≤ t ≤ 55°C, Accuracy: ±1.5°C/±34.7°F</p> <p>The host body and K-type thermocouple are in different temperature ranges: Temperature Range T1: 0°C ≤ T1 ≤ 55°C / 32°F ≤ T1 ≤ 131°F (Host body) Temperature Range T2: -40°C ≤ T2 < 0°C / -40°C ≤ T2 < 32°C (Sensor) Accuracy: ±2°C/±35.6°F</p> <p>*t, T1, T2 refers to temperature</p>
Thermocouple Wire Length	1 meter / 39.37"

Frequency	
TX Power	19dBm±1dBm
Rx Sensitivity	-136dBm (LoRa, Spreading Factor=12, Bit Rate=293bps) -121dBm (FSK, Frequency deviation=5kHz, Bit Rate=1.2kbps)
Antenna Type	Built-in antenna
Communication Range	Up to 500m/0.310miles, the actual transmission distance depends on the environment*
Data Transfer Rate	0.3kbps ~ 50kbps
Spread Technique	LoRa/FSK
Available Frequency	EU863-870, US902-928, Configured before shipment

Physical	
Dimension	L:112mm x W:88.19mm x H:32mm / L:4.41" x W:3.47" x H:1.26"
Weight	141g / 0.31lb
Protection class	Main Part IP65/67 / External Sensor IP60
Environment Temp.Range	-20°C ~ 55°C / -4°F ~ 131°F
Environment Humidity Range	<90%RH (No condensation)
Storage Temperature	-40°C ~ 85°C / -40°F ~ 185°F



* Actual signal range may vary depending on the environment.

* Battery life is determined by sensor reporting frequency and other variables.

* All product names, logos and brands are property of their respective owners. All company products and service names used on this box/website/brochure are for identification purposes only. Use of these names, logos and brands does not imply endorsement. 2021 WatchNET Inc. © All Rights Reserved. All product specifications are subject to change without notice.

CANADA:

351 Ferrier Street, Unit 5
Markham, ON L3R 5Z2
Toll Free: 1-866-843-6865
Tel: 416-410-6865

USA:

171 Cooper Ave. Suite 110
Tonawanda, NY 14150 USA
Toll Free: 1-866-843-6865
Local: 1-716-877-7277

UAE:

PO Box No 126312
Office Suite 703, Oxford Towers
Business Bay, Dubai, UAE
Tel: + 971 4 2767117

Rev. Dec., 2021

www.watchnetiot.com
info@watchnetiot.com