



## WLRI-IRB1



### Wireless IR Blaster

WLRI-IRB1 IR blaster can be used for IR signal learning from any remote control and reproduce the same signal to control equipment remotely. It can be used for controlling split AC units that only have built-in temperature control.

#### Features:

- Super Long Range Signal Penetration
- Easy Installation
- Frequency Hopping Spread Spectrum (FHSS)
- Improved interference immunity
- Encrypt-RF™ Security (Diffie-Hellman Key Exchange + AES-128 CBC for sensor data messages)
- Over-the-air updates
- Interactive WatchNET IoT platform with dashboard, search and notification settings



#### Applications:

- Remote controlling of air condition
- TV, HiFi Audio, etc
- Any device that is IR control

#### Schematic Diagram:



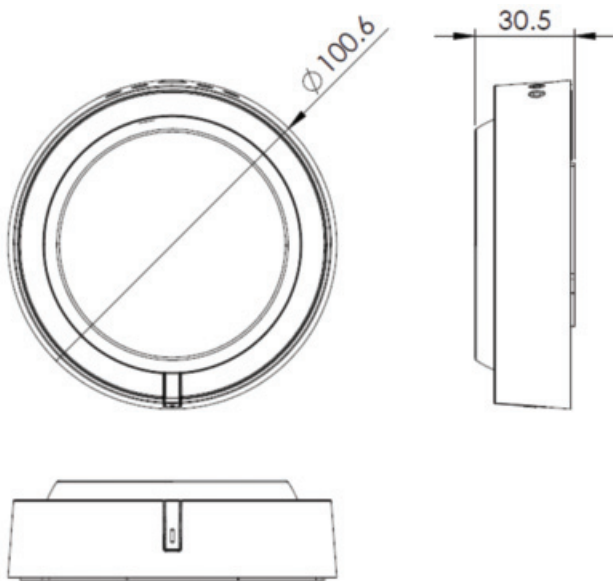
Replace remote control with online control.

## Technical Specifications

Electrical	
Power Supply	DC12V
Working Current	50mA / 12V / 0.6W
Infrared Frequency	38 KHz
Infrared Transmission Range	32 meters
Frequency	
TX Power	19dBm±1dBm
Rx Sensitivity	-136dBm (LoRa, Spreading Factor=12, Bit Rate=293bps) -121dBm (FSK, Frequency deviation=5kHz, Bit Rate=1.2kbps)
Antenna Type	Built-in antenna
Communication Range	Up to 500m/0.310miles, the actual transmission distance depends on the environment*
Data Transfer Rate	0.3kbps~50kbps
Spread Technique	LoRa/FSK
Available Frequency	EU863-870, US902-928, Configured before shipment
Physical	
Dimension	Diameter-106mm , height-30.5mm / 4.17" / 1.20"
Weight	100g / 0.22lb
Protection Level	Main Part IP30
Environment Temperature Range	-20°C ~ 55°C / -4°F ~ 131°F
Environment Humidity Range	5% RH ~ 95%RH (No condensation)
Storage Temperature	-40°C ~ 85°C / -40°F ~ 185°F

\* Actual signal range may vary depending on the environment.

## Dimensions



(Unit: mm)

\* All product names, logos and brands are property of their respective owners. All company products and service names used on this box/website/brochure are for identification purposes only. Use of these names, logos and brands does not imply endorsement. 2021 WatchNET Inc. © All Rights Reserved. All product specifications are subject to change without notice.

### CANADA:

351 Ferrier Street, Unit 5  
Markham, ON L3R 5Z2  
Toll Free: 1-866-843-6865  
Tel: 416-410-6865

### USA:

171 Cooper Ave. Suite 110  
Tonawanda, NY 14150 USA  
Toll Free: 1-866-843-6865  
Local: 1-716-877-7277

### UAE:

PO Box No 126312  
Office Suite 703, Oxford Towers  
Business Bay, Dubai, UAE  
Tel: + 971 4 2767117

Rev. Dec., 2021

[www.watchnetiot.com](http://www.watchnetiot.com)  
[info@watchnetiot.com](mailto:info@watchnetiot.com)