



WLRI-S16



Wireless Indoor Temperature and Humidity Sensor

This indoor temperature and humidity sensor can be used to monitor the temperature and humidity of the environment and notify persons by SMS, email or phone call if the values go out of the optimal range. This sensor is small and has a sleek design making it easy to install and looks elegant.

Features:



- Super Long Range Signal Penetration
- Easy Installation
- Frequency Hopping Spread Spectrum (FHSS)
- Improved interference immunity
- Encrypt-RF™ Security (Diffie-Hellman Key Exchange + AES-128 CBC for sensor data messages)
- Over-the-air updates
- Interactive WatchNET IoT platform with dashboard, search and notification settings

Applications:

- Office room temperature and humidity
- Restaurant dining area temperature and humidity
- Indoor stadium temperature and humidity
- Gym temperature and humidity
- Seminar halls temperature and humidity

Schematic Diagram:

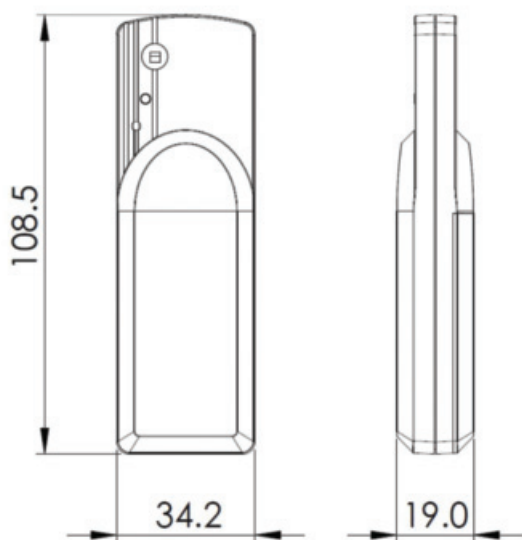


Technical Specifications

Electrical	
Input Power	2 x 1.5V AA batteries
Operating power	DC 2.4V ~ 3V
Standby Current	12uA/3V
Transmitting current (max)	120mA/3V
Receiving current (max)	11mA/3V
Battery Voltage Measurement	±0.1V
Frequency	
TX Power	19dBm±1dBm
Rx Sensitivity	-136dBm (LoRa, Spreading Factor=12, Bit Rate=293bps) -121dBm (FSK, Frequency deviation=5kHz, Bit Rate=1.2kbps)
Antenna Type	Built-in antenna
Communication Range	Up to 500m/0.310miles, the actual transmission distance depends on the environment*
Data Transfer Rate	0.3kbps ~ 50kbps
Spread Technique	LoRa/FSK
Available Frequency	EU863-870, US902-928, Configured before shipment
Physical	
Dimension	L:112mm x W:34mm x H:17mm / L:4.41" x W:1.34" x H:0.7"
Weight	83.8g / 0.18lb
Protection Class	Main Part IP40
Operating Temperature	-20°C ~ 55°C / -4°F ~ 131°F
Storage Temperature	-40°C ~ 85°C / -40°F ~ 185°F
Temperature Measurement Range	-20°C ~ 55°C / -4°F ~ 131°F
Temperature Measurement Accuracy	±0.5°C @25°C Max. +/-0.8°C@ -20°C ~ 55°C / -4°F ~ 131°F
Operating Humidity	<90%RH
Humidity Measurement Range	10%RH-90%RH
Humidity Measurement Accuracy	±4%RH @25°C/77°F

Dimensions

* Actual signal range may vary depending on the environment.



* All product names, logos and brands are property of their respective owners. All company products and service names used on this box/website/brochure are for identification purposes only. Use of these names, logos and brands does not imply endorsement. 2021 WatchNET Inc. © All Rights Reserved. All product specifications are subject to change without notice.

CANADA:

351 Ferrier Street, Unit 5
Markham, ON L3R 5Z2
Toll Free: 1-866-843-6865
Tel: 416-410-6865

USA:

171 Cooper Ave. Suite 110
Tonawanda, NY 14150 USA
Toll Free: 1-866-843-6865
Local: 1-716-877-7277

UAE:

PO Box No 126312
Office Suite 703, Oxford Towers
Business Bay, Dubai, UAE
Tel: + 971 4 2767117

Rev. Dec., 2021

www.watchnetiot.com
info@watchnetiot.com