



**WLRI-S25**



## Wireless Occupancy/Light/Temperature Sensor

WLRI-S25 occupancy sensor is a three in one device that can give information about presence, temperature and light level of any room. These three factors combined can ideally monitor any room or area for the time occupied. It can be used as a security device to detect intrusion of all premises.

### Features:

- Super Long Range Signal Penetration
- 5 years plus Battery Life\*
- Easy Installation
- Frequency Hopping Spread Spectrum (FHSS)
- Improved interference immunity
- Encrypt-RF™ Security (Diffie-Hellman Key Exchange + AES-128 CBC for sensor data messages)
- Over-the-air updates
- Interactive WatchNET IoT platform with dashboard, search and notification settings



### Applications:

- Area access monitoring
- Detect occupancy in a room
- Building automation
- Condition monitoring (light)
- Security/Intrusion

### Schematic Diagram:



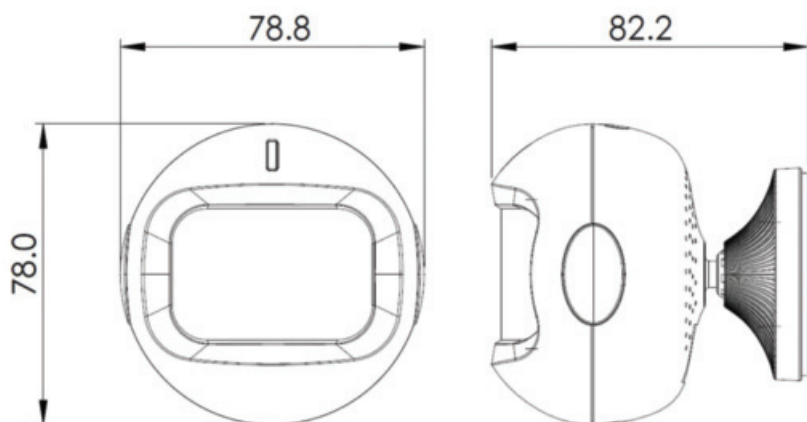
## Technical Specifications

Electrical	
Power Supply	2pcs of 3.6V ER14505 AA battery*
Operating Voltage Range	3V ~ 3.6V
Standby Current	110uA
Transmitting Current (max)	120mA
Receiving Current (max)	11mA
Battery Measurement Accuracy	±0.1V
Frequency	
TX Power	19dBm±1dBm
Rx Sensitivity	-136dBm (LoRa, Spreading Factor=12, Bit Rate=293bps) -121dBm (FSK, Frequency deviation=5kHz, Bit Rate=1.2kbps)
Antenna Type	Built-in antenna
Communication Range	Up to 500m/0.310miles (line-of-sight, the actual transmission distance depends on the environment)*
Data Transfer Rate	0.3kbps~50kbps
Spread Technique	LoRa/FSK
Available Frequency	US915, EU868, Configured before shipment
Sensing Range	
Mounting Height	2~2.2 meters / 6.56ft~7.22ft / above ground level
Mounting Angle	Tilt 15° downward
Sensing Angle	Horizontal 110°, vertical 60°
Sensing Distance	2m to 12m / 6.56ft to 39.37ft
Object Moving Speed to Send Alarm	≥0.2 m(M)/s(s)
Temperature Measurement Range	-20°C ~ 55°C / -4°F ~ 131°F
Temperature Measurement Accuracy	±2°C / ±35.6°F
Light Sensor Measurement Range	0-1100LUX
Light Sensor Measurement Accuracy	±15%
Battery Measurement Accuracy	±0.1V
Physical	
Dimension	78mm x 78.8mm x 82.2mm / 3.07" x 3.10" x 3.24"
Weight	125.8g / 0.28lb
Protection Class	Main Part IP30
Operating Humidity	<90%RH
Operating Temperature	-20°C ~ 55°C / -4°F ~ 131°F
Storage Temperature	-40°C ~ 85°C / -40°F ~ 185°F
Built-in Devices	Tamper switch, light sensor, temperature sensor

\* Actual signal range may vary depending on the environment.

\* Battery life is determined by sensor reporting frequency and other variables.

## Dimensions



\* All product names, logos and brands are property of their respective owners. All company products and service names used on this box/website/brochure are for identification purposes only. Use of these names, logos and brands does not imply endorsement. 2021 WatchNET Inc. © All Rights Reserved. All product specifications are subject to change without notice.

### CANADA:

351 Ferrier Street, Unit 5  
Markham, ON L3R 5Z2  
Toll Free: 1-866-843-6865  
Tel: 416-410-6865

### USA:

171 Cooper Ave. Suite 110  
Tonawanda, NY 14150 USA  
Toll Free: 1-866-843-6865  
Local: 1-716-877-7277

### UAE:

PO Box No 126312  
Office Suite 703, Oxford Towers  
Business Bay, Dubai, UAE  
Tel: + 971 4 2767117

Rev. Dec., 2021

[www.watchnetiot.com](http://www.watchnetiot.com)  
[info@watchnetiot.com](mailto:info@watchnetiot.com)