



WLRC-E3000

Energy Meter

Three-phase din rail multifunction 7 modules 0.5S kwh energy meter with RS485

WLRC-E3000 is a smart meter designed for power supply system, industrial and mining enterprises and utilities to calculate the electricity consumption and manage the electric demand. It features the high precision, small size and simple installation. It integrates the measurement of all electrical parameters with the comprehensive electricity metering and management provides various data on previous 12 months, checks the 31st harmonic content and the total harmonic content, realizes the remote communication and the remote control with switching input and relay output and boasts the alarm output. It is fitted with RS485 communication port and adapted to MODBUS-RTU. WLRC-E3000 can be used in all kinds of control systems, SCADA systems and energy management systems. All meters meet the related technical requirements of electricity power meter in the IEC62053-21, IEC62053-22 standards.

Product Functions:

Function	Description	
Measurement of kWh	Active kWh (positive and negative)	■
	Reactive kWh (positive and negative)	■
	A, B, C phase positive kWh	■
Measurement of electrical parameters	U, I, P, Q, S, PF, HZ	■
Measurement of harmonic	2-31 st voltage and current harmonic	□
LCD Display	8 digits	■
Button	4 keys	■
LED Alarm	Voltage loss and over voltage	■
Switch I/O	Active switch input	□
	Switch output	□
Data	Maximum demanded kWh and time happened	□
	Frozen data on last 48 months, last 90 days	□
	Date time	□
Communication	Infrared	■
	RS485, Modbus-RTU	□
Temperature Measurement	Support 3 outlay NTC temperature	□

Note: ■ standard □ optional

Product Functions:

- Compressor / Generator current monitoring
- Equipment working or not working status
- Overload current monitoring
- Predictive maintenance of machinery
- Smart energy management

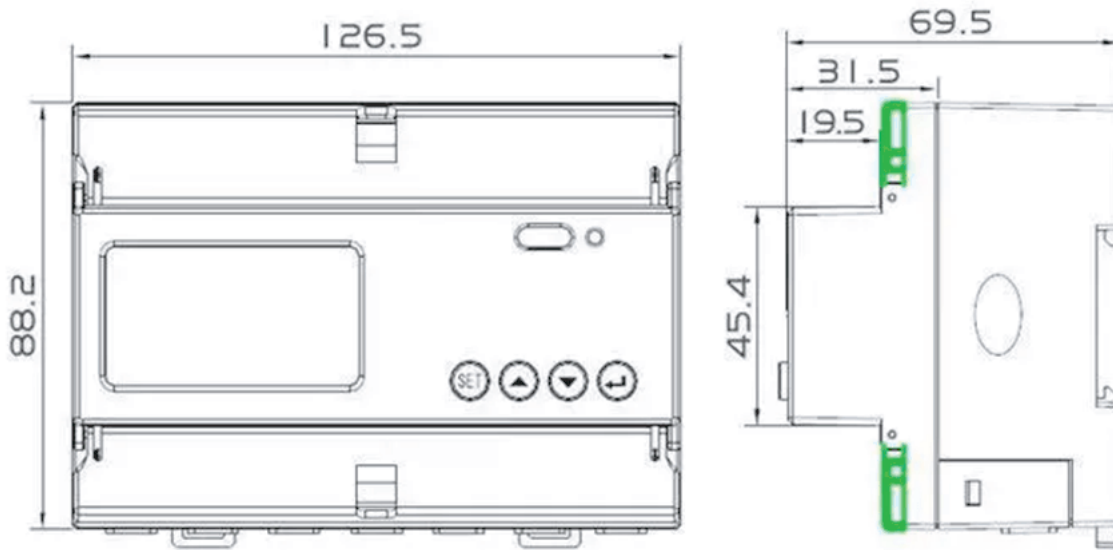
Electrical Performance:

Voltage	Reference Voltage	3*.57.7/100V 3*220/380V 3*100V 3*380V
	Reference frequency	50Hz
	Consumption	<10VA (Single phase)
	Accuracy	± 0.2%
Current	Maximum current	6A, 80A
	Starting current	Direct connect: 0.004Ib Connect via CT:0.001In
	Consumption	<1VA (Single phase rated current)
Frequency	Range	± 0.2%
	Accuracy of active kWh	Class 0.5s
Energy accuracy	Active energy	≤ Class 2
	Reactive energy	0.5s/d
Pulse	Pulse width	80+/-20ms
	Pulse constant	400imp/kWh; 6400imp/kWh
Communication	Interface	RS485
	Protocol	Modbus RTU

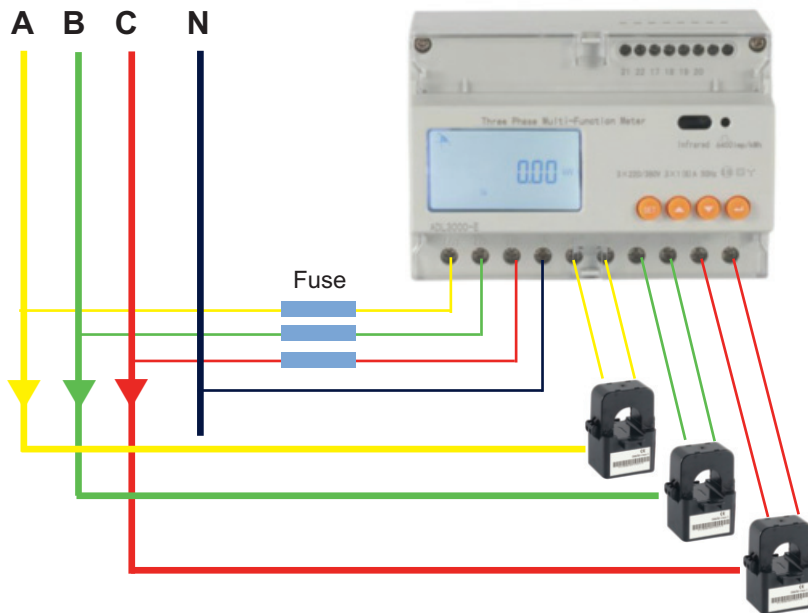
Working Environment

Temperature	Operating	-25 ⁰ C ~ 55 ⁰ C
	Storage	-45 ⁰ C ~ 70 ⁰ C
Humidity	≤ 95% (No condensation)	
Attitude	<2000m	

Dimension Diagram:



Wiring instructions:



** All product names, logos and brands are property of their respective owners. All company products and service names used on this box/website/brochure are for identification purposes only. Use of these names, logos and brands does not imply endorsement. 2023 WatchNET Inc. © All Rights Reserved. All product specifications are subject to change without notice.*

CANADA:
351 Ferrier Street, Unit 5
Markham, ON L3R 5Z2
Toll Free: 1-866-843-6865
Tel: 416-410-6865

USA:
171 Cooper Ave. Suite 110
Tonawanda, NY 14150 USA
Toll Free: 1-866-843-6865
Local: 1-716-877-7277

UAE:
PO Box No 126312
Office Suite 703, Oxford Towers
Business Bay, Dubai, UAE
Tel: + 971 4 2767117

February 09, 2023

www.watchnetiot.com
info@watchnetiot.com